



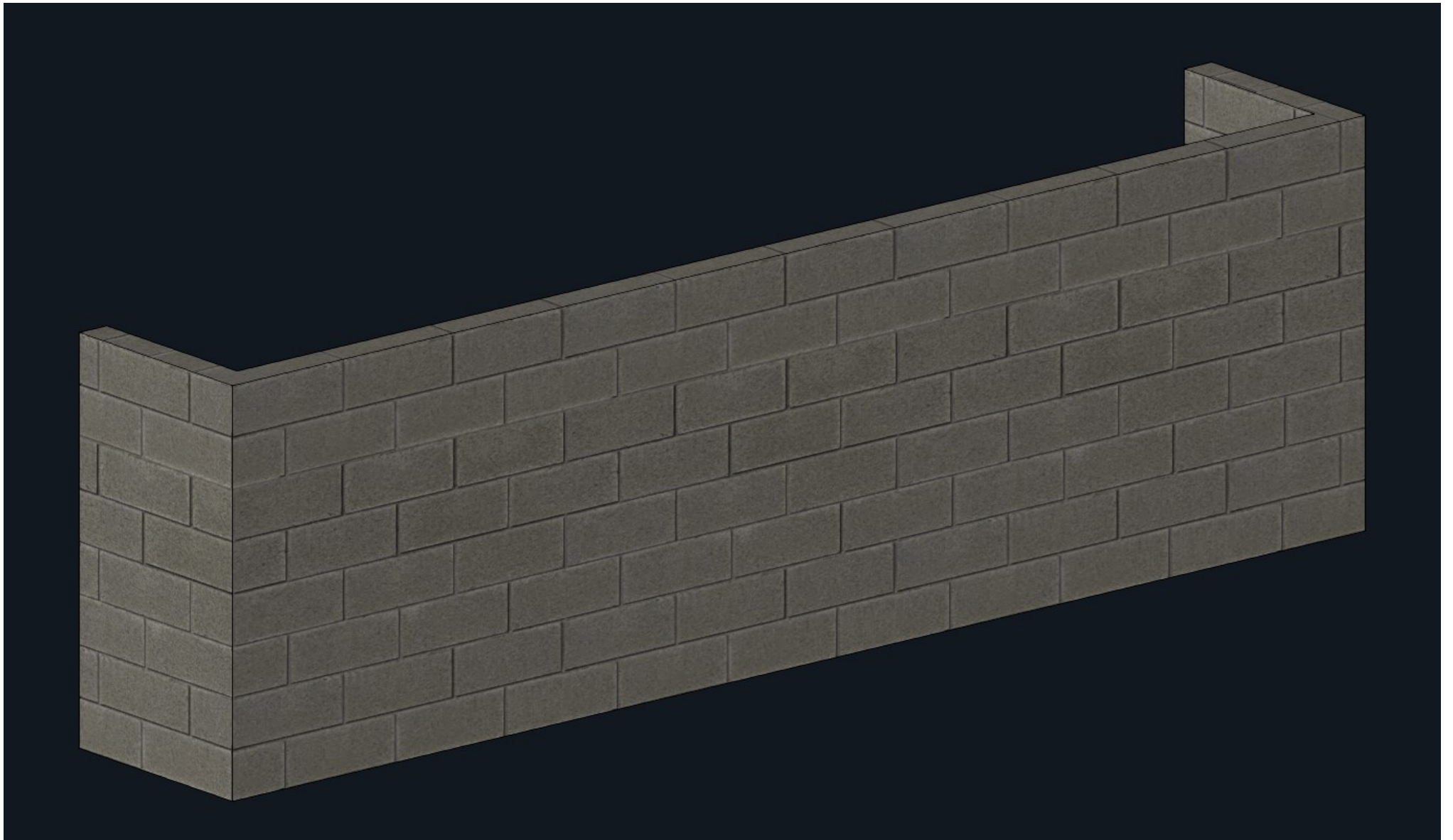
BUILD

LITE

STONE-COAT MOULDINGS INSTALLATION GUIDELINES

www.build-liteuk.co.uk

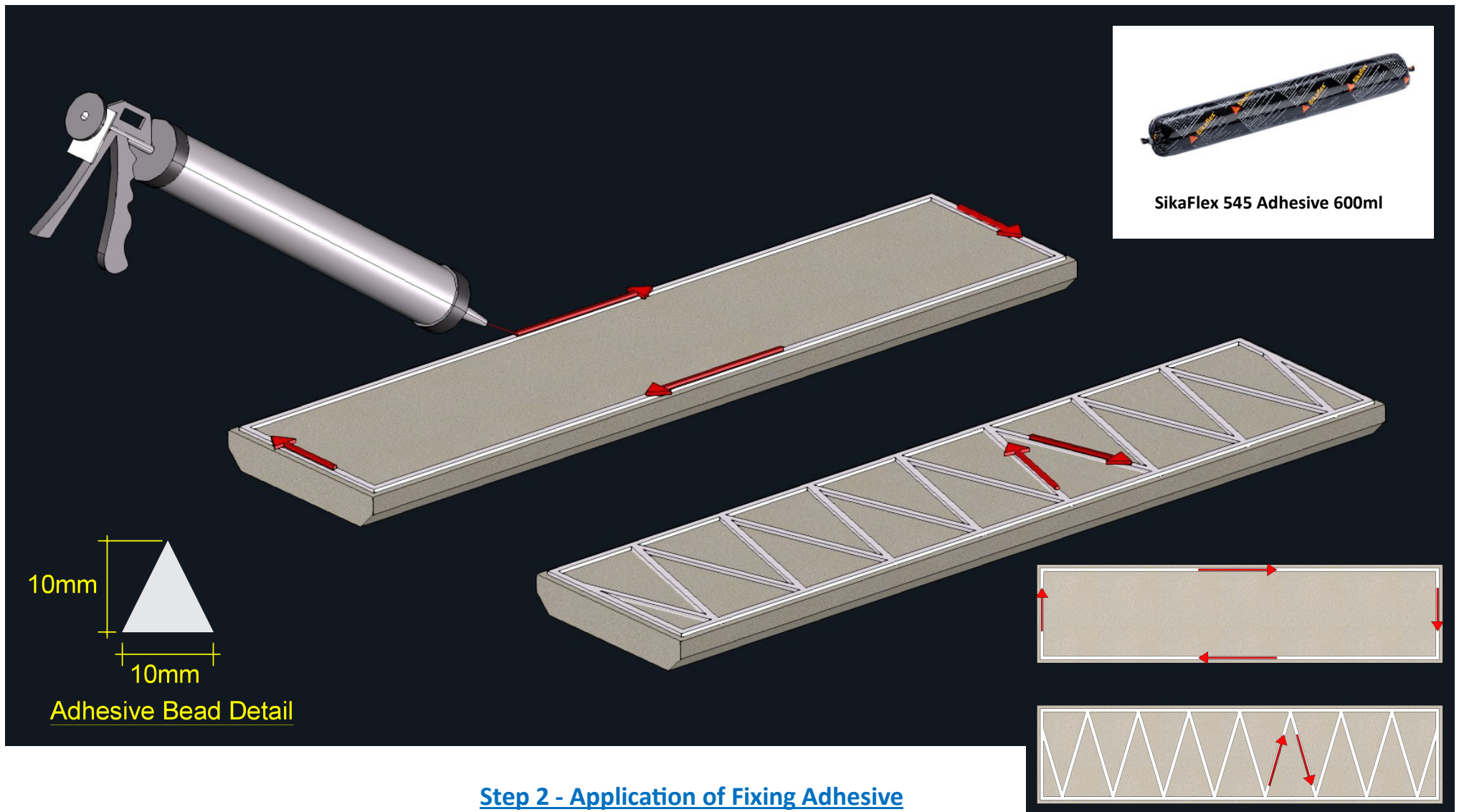




Step 1 - Preparation of Fixing Surface / Substrate

Prior to installation of Stone-Coat, **ensure products are stored in a dry area** and all fixing surfaces are dry and free of any contaminants.

Remove any loose material or dust. Ambient temperature should be a minimum of 5°C.

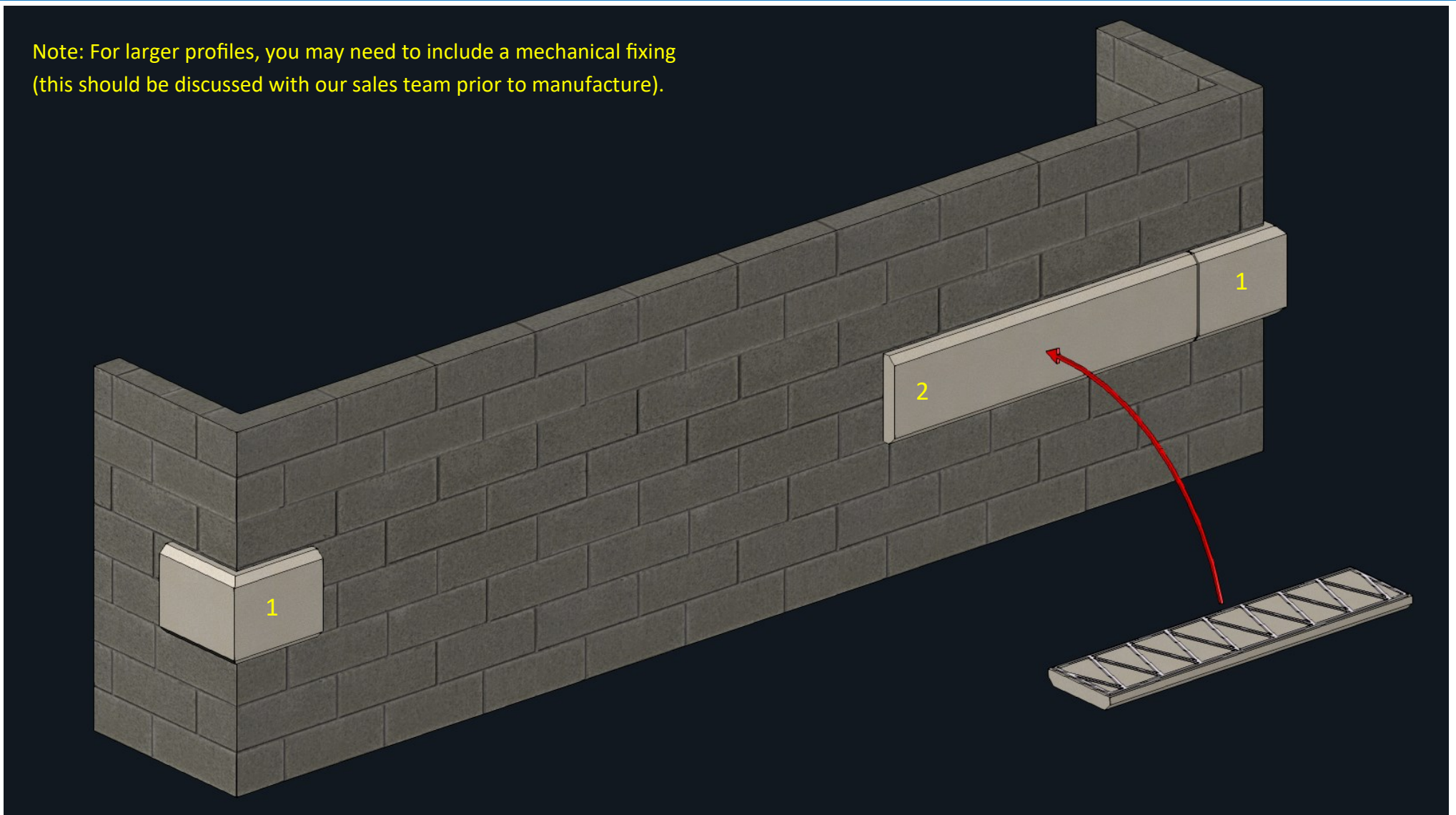


Using **SikaFlex 545 Adhesive** and **Application Gun**, firstly apply a continuous 10mm bead (see bead detail) of adhesive around the perimeter of the Stone-Coat piece to be fixed, ensuring the adhesive is not too close to the edge (allow 10mm to edge).

Then apply the adhesive in a continuous Zig-Zag pattern to the entire length of the Stone-Coat piece, as shown.

The peaks of the Zig-Zag pattern should be spaced at 150mm (minimum).

Note: For larger profiles, you may need to include a mechanical fixing (this should be discussed with our sales team prior to manufacture).

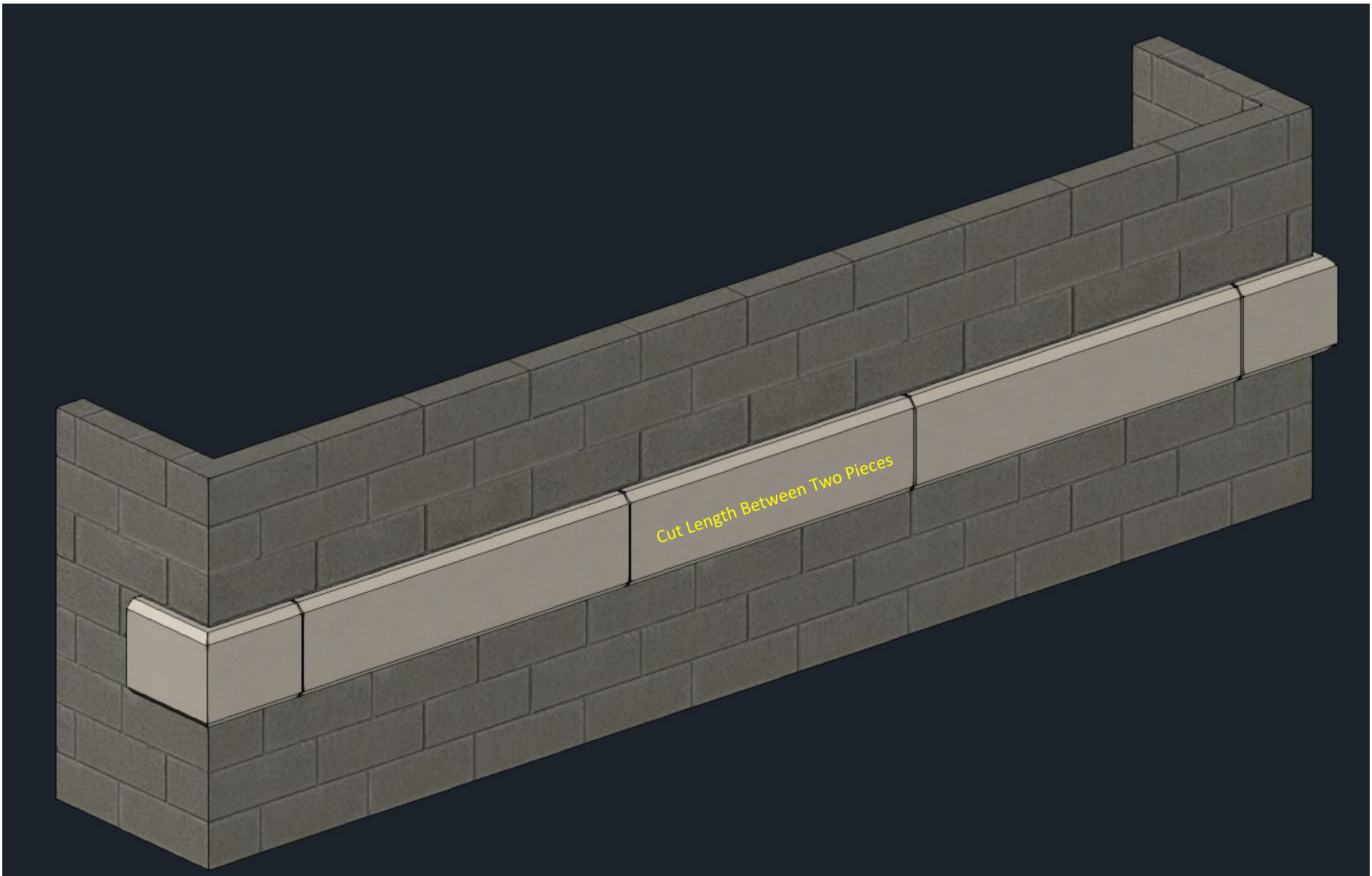


Step 3 - Installation of Stone-Coat Pieces

Once fixing adhesive is applied, you are ready to start fitting the Stone-Coat pieces.

If supplied, all preformed corner pieces or angles should be fitted first **(1)**.

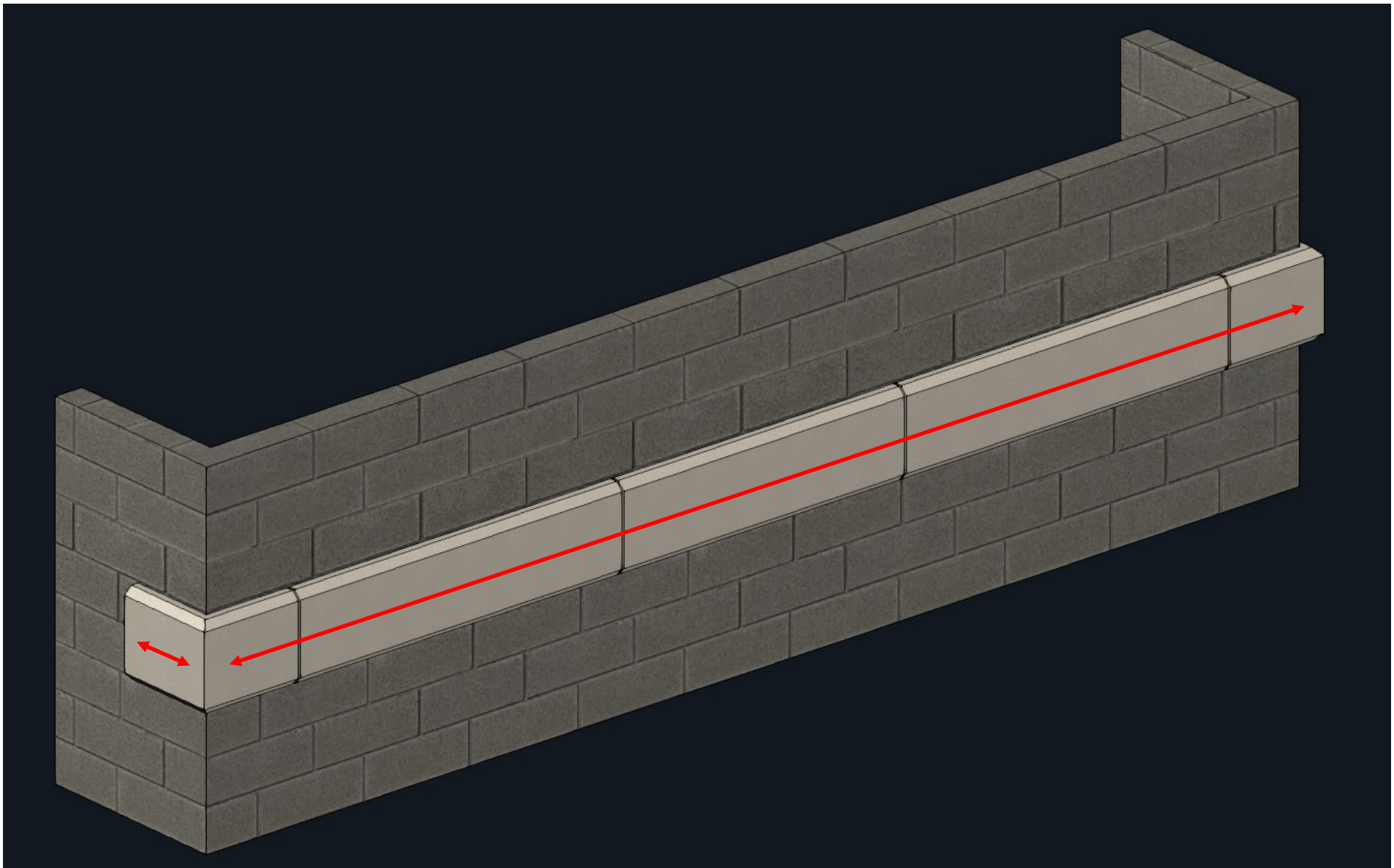
Allowing a **6mm joint between pieces**, work away from corner pieces towards the centre of the run **(2)**.



Step 4 - Installation of Stone-Coat Pieces

Any cut lengths of Stone-Coat should be positioned between two pieces or abutting a wall, to ensure cut ends are not exposed.

Stone-Coat can be easily cut with a good quality **Fine Toothed Hand Saw**.

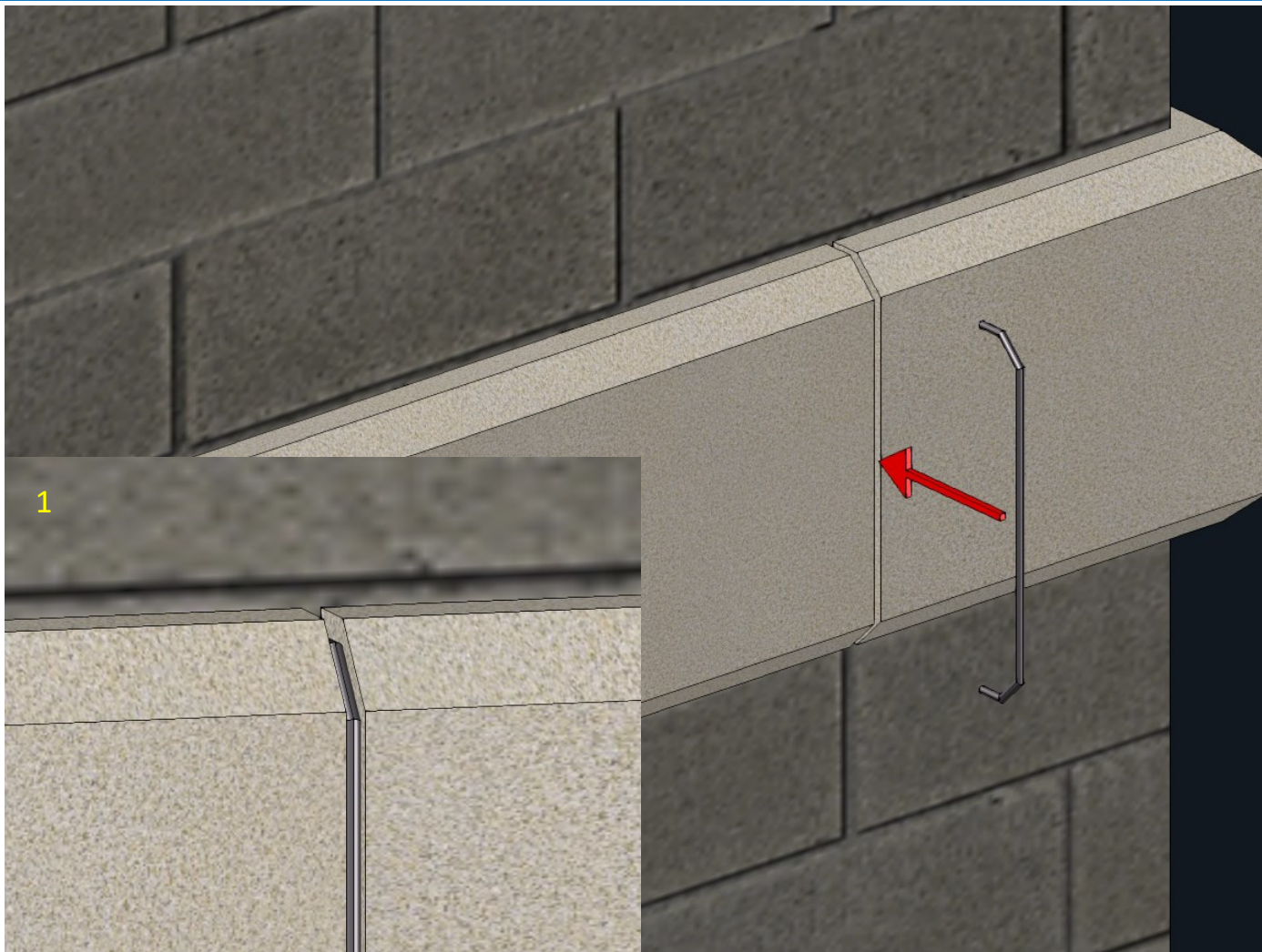


Step 5 - Installation of Stone-Coat Pieces

Carefully apply pressure along the length of the pieces with a lateral motion until the adhesive grabs (this does not take long).

Ensure pieces do not move from the intended position.

Immediately remove any excess adhesive and wipe clean with a damp cloth. Allow adhesive to fully cure.



Example:
Everbuild Foam Sealant Joint Backer Rod
10mm Dia



Step 6 - Fitting Foam Sealant Joint Backer Rod

10mm Foam Sealant Joint Backer Rod (not supplied by Build-Lite) should be fitted in the joint between Stone-Coat pieces.

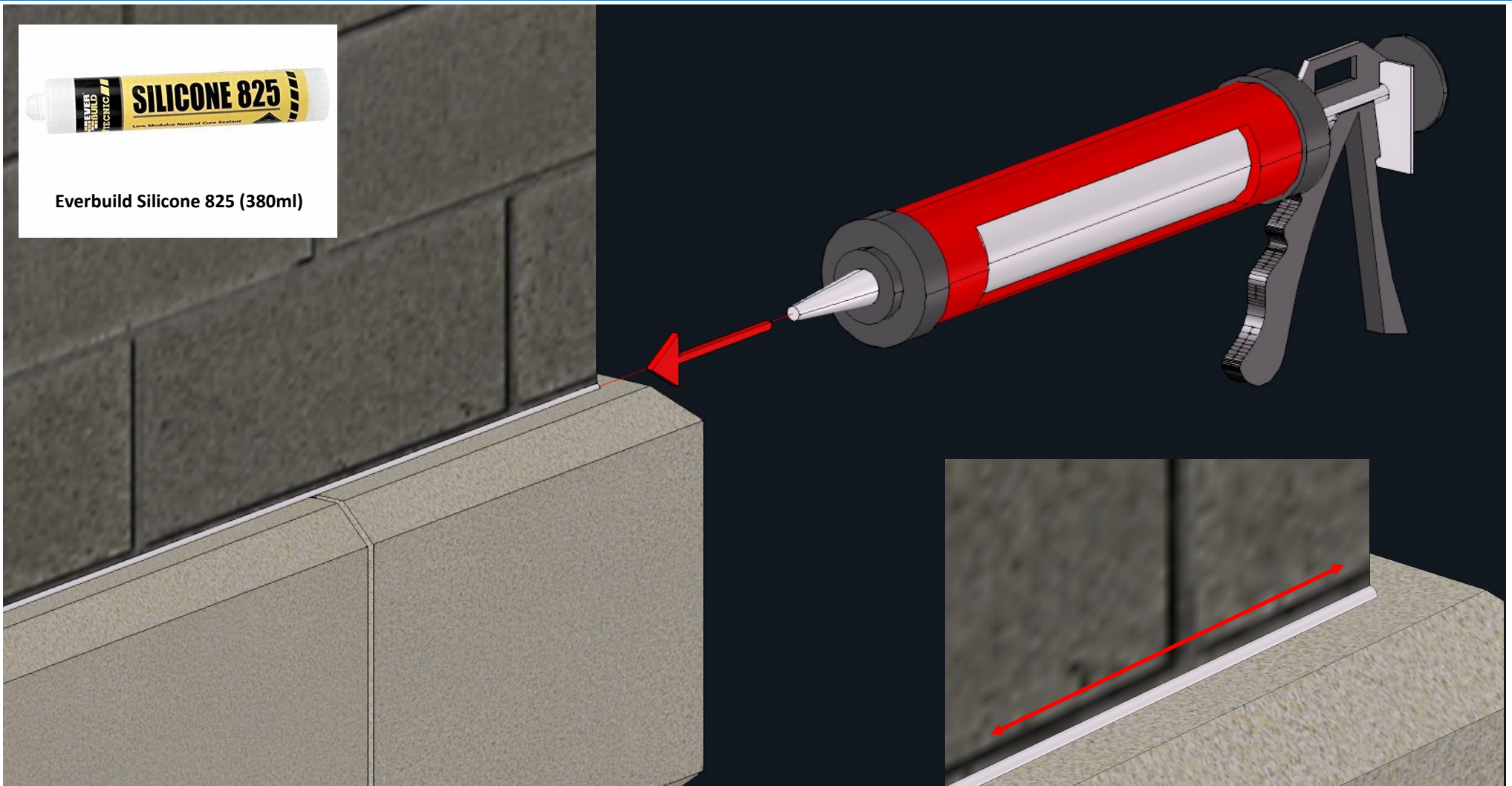
This provides a level to control sealant depth and creates a backstop to allow proper sealant tooling.

Cut **10mm Foam Sealant Joint Backer Rod** to required length and push into the joint to a **depth of around 4-5mm** (see Figure 1).

Ensure the Foam Backer Rod follows the profile and goes all the way back to the wall / substrate.



Everbuild Silicone 825 (380ml)

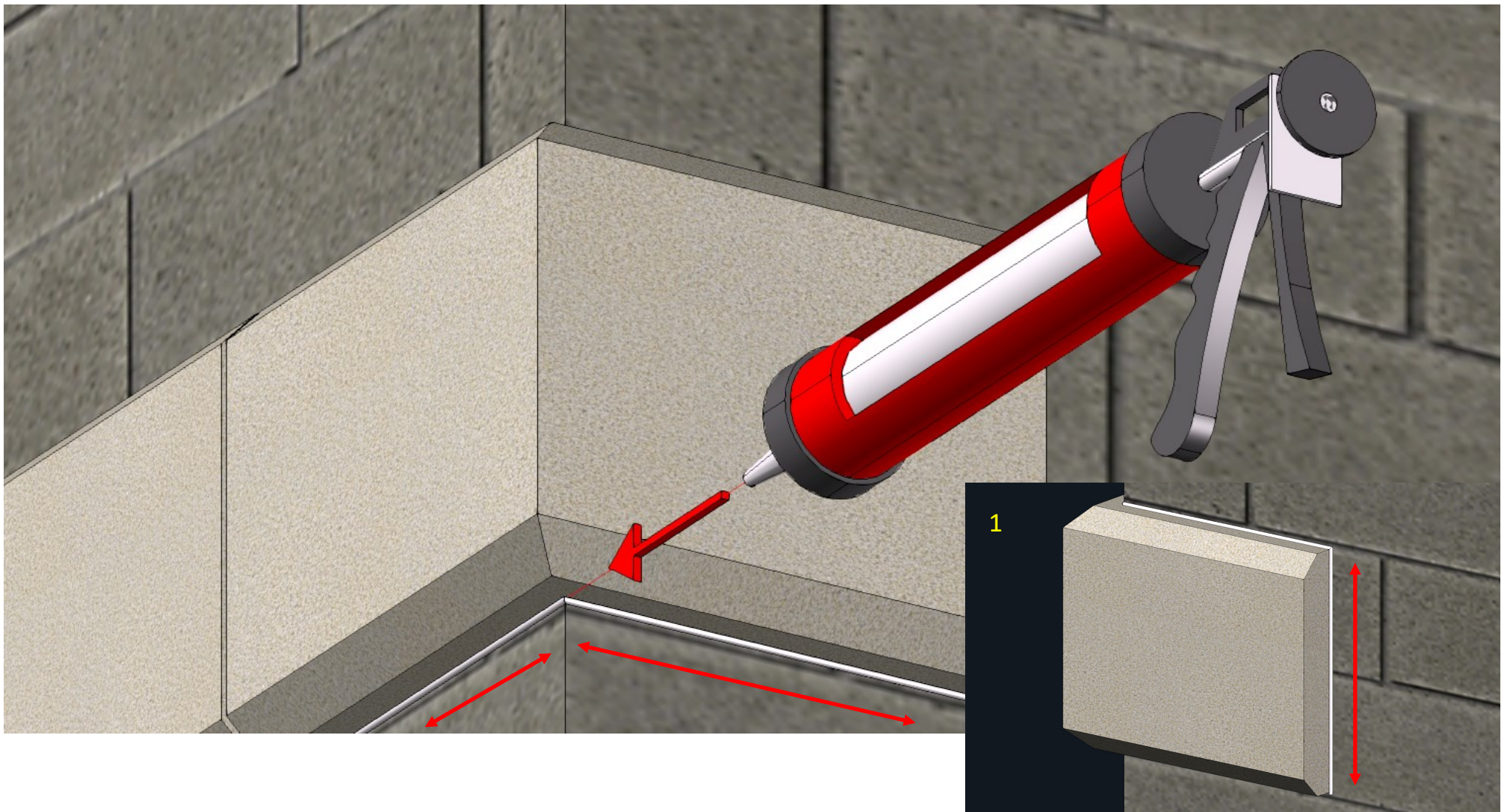


Step 7 - Applying Pointing Mastic / Sealant

Using **Everbuild Silicone 825 Sealant**.

Firstly, apply a continuous bead along the top edge to completely seal the gap between Stone-Coat and wall / substrate.

Smooth off as required.



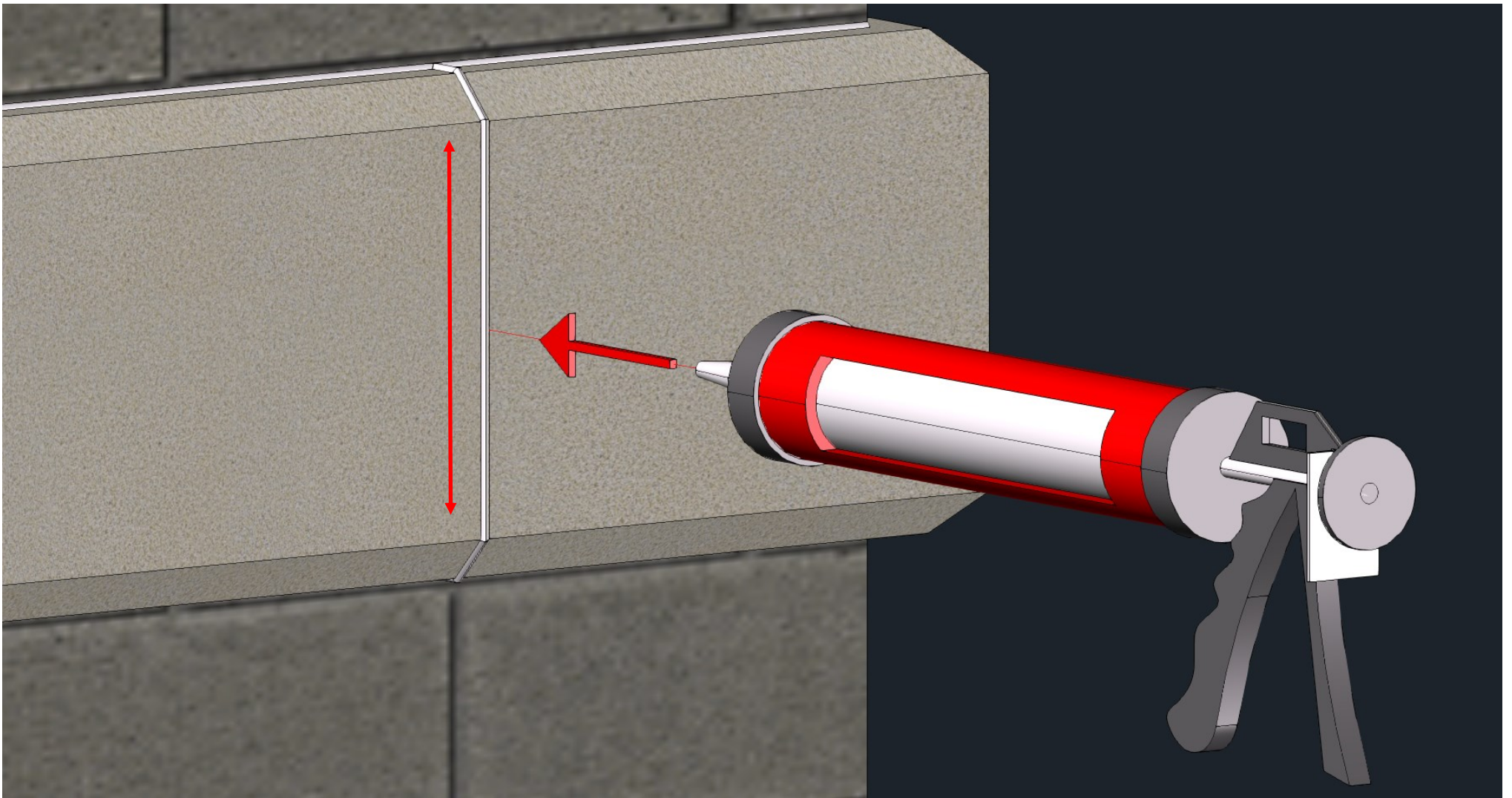
Step 8 - Applying Pointing Mastic / Sealant

Using the **Everbuild Silicone 825 Sealant**.

Repeat process to the bottom edge, applying a continuous bead to completely seal the gap between Stone-Coat and wall / substrate.

Any ends should also be sealed (see figure 1).

Smooth off as required.



Step 9 - Applying Pointing Mastic / Sealant

Using the **Everbuid Silicone 825 Sealant**.

Finally, apply a continuous bead to the joints between Stone-Coat pieces.

Completely fill the joint down to the level of the **Foam Backer Rod** fitted earlier.

Ensure sealant follows profile all the way back to the wall / substrate. Smooth off as required.



Please note this information is provided for guidance only. All matters relating to the integrity and structural aspect of the building envelope must be approved by a qualified engineer.

Manufacturers specification documents for fixing adhesive and sealant are available upon request or can be downloaded from the manufacturers website.

Mechanical fixings may be required for larger size Stone-Coat profiles. This will be discussed with you prior to manufacture.

Build-Lite (UK) Ltd does not take responsibility for the specification of mechanical fixings. All fixings must be approved for either a structural engineer or specialist fixing supplier.

Should you have any questions about the installation of our Stone-Coat products, please do not hesitate to contact us.

Build-Lite (UK) Ltd.
Kingsfirth Road, Thurgroft
Rotherham, South Yorkshire
S66 9HU
01709 242210
sales@build-liteuk.co.uk

www.build-liteuk.co.uk

