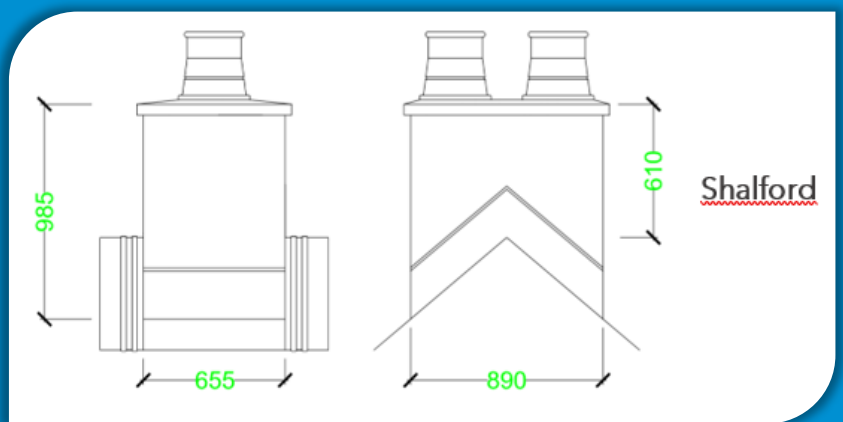
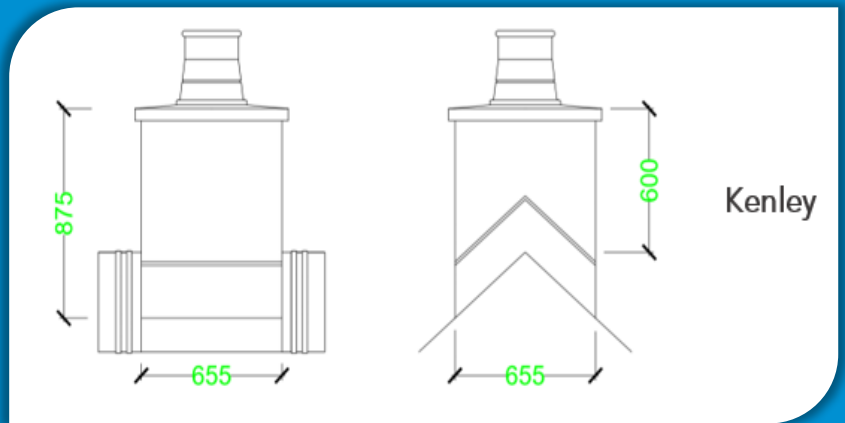
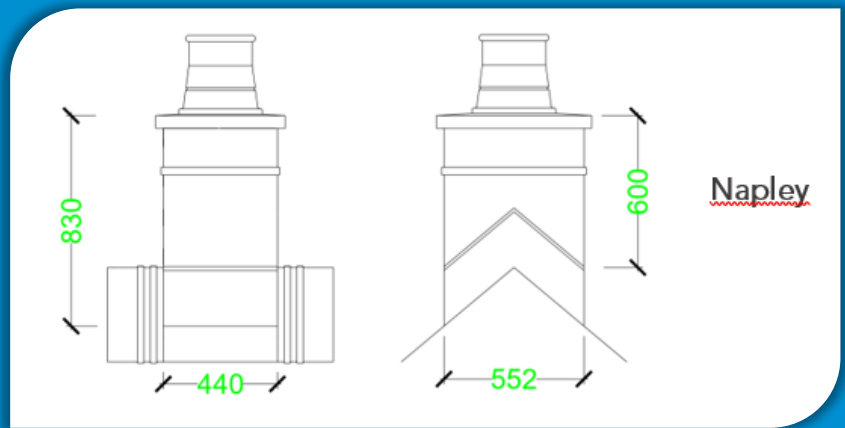


# THE LITE-STACK GRP CHIMNEY - DEVELOPER RANGE



## THE LITE-STACK GRP CHIMNEY - DEVELOPER RANGE

As the momentum for lightweight prefabricated chimneys continues to accelerate, we are increasingly being tasked with providing more compact sized units alongside our already established standard Lite-stack product range.

We have therefore introduced a "compact" range of brick effect styles to provide a cost-effective option, without compromising on quality, to compliment the premier range of products that we currently offer.



Lite-stack Chimneys provide a range of complete chimney solutions based on a ready to install, one-piece chimney stack. Lightweight and very easy to use, the chimneys are simply lifted into position, bolted onto the roof trusses and led in the normal manner.



For more information on our Lite-stack chimney ranges, call us on 01709 242210

E-Mail us at [sales@build-liteuk.co.uk](mailto:sales@build-liteuk.co.uk)